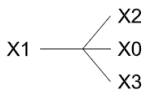
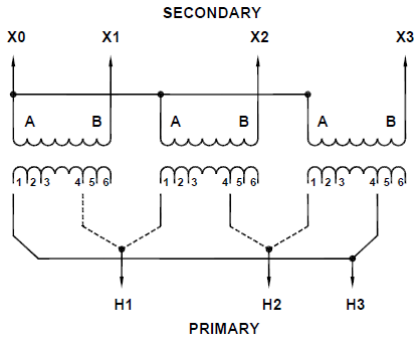


DIAGRAM "II"

VOLTS	CONNECT	LINE
504	1-6	H1-H2-H3
492	1-5	
480	1-4	
468	2-5	
456	2-4	
444	3-5	
432	3-4	



POLARITY

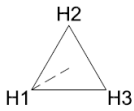
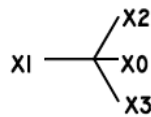
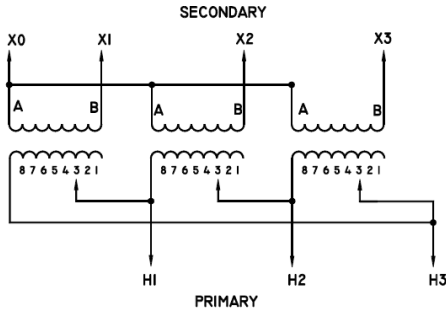


DIAGRAM "280B"

VOLTS	TAP
504	1
492	2
480	3
468	4
456	5
444	6
432	7



POLARITY:

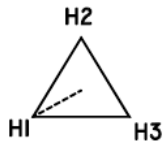
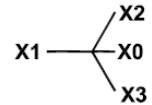
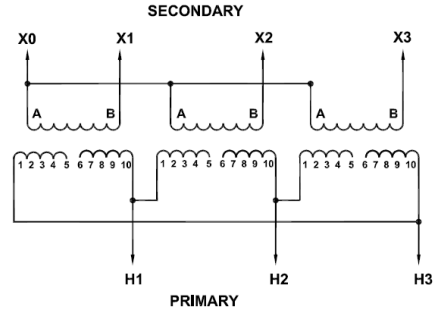


DIAGRAM "657B"

VOLTS	CONNECT
504	5 TO 6
492	6 TO 4
480	4 TO 7
468	7 TO 3
456	3 TO 8
444	8 TO 2
432	2 TO 9



POLARITY:

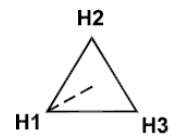
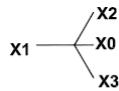
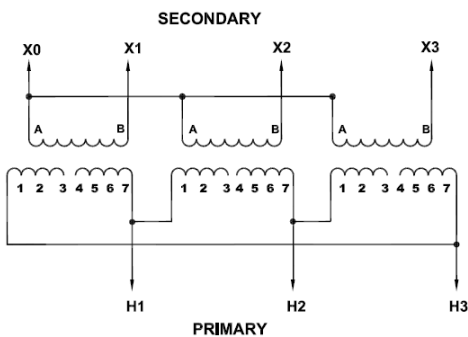


DIAGRAM "428B"

VOLTS	CONNECT
504	3 TO 4
492	3 TO 5
480	3 TO 6
468	2 TO 5
456	2 TO 6



POLARITY:

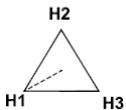
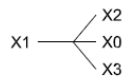
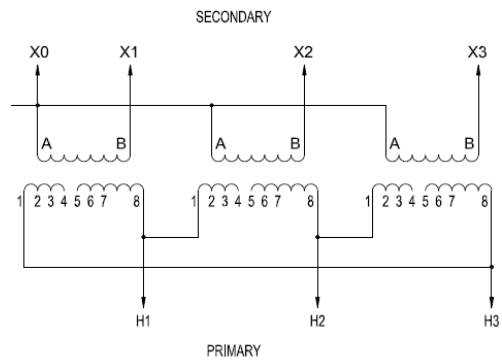


DIAGRAM "KK"

VOLTS	CONNECT
504	4 TO 5
492	4 TO 6
480	4 TO 7
468	3 TO 6
456	3 TO 7
444	2 TO 6
432	2 TO 7



POLARITY

